

PV
SHAKER
COLLECTION
Black


OAK SHAKER BLACK (OSB)



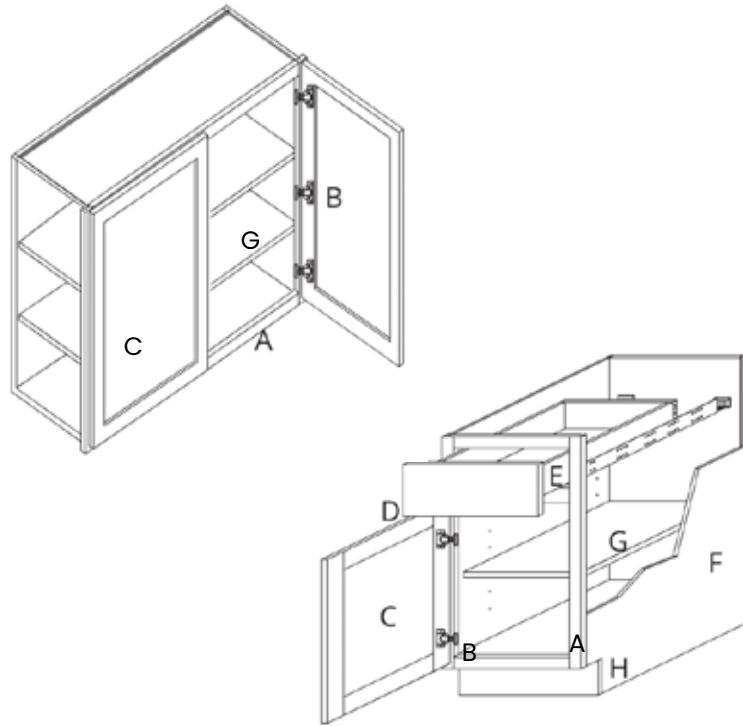
Images shown are digital renderings for reference only. Actual color and finish may vary. For final selection, please visit an authorized dealer to view physical samples in person.

DISCOVER THE ELEGANCE OF OAK SHAKER BLACK, A SUPER MATTE FINISH BLACK SHAKER CABINET CRAFTED FROM PREMIUM AMERICAN WHITE OAK. THIS DESIGN COMBINES THE BOLDNESS OF DEEP BLACK WITH THE NATURAL BEAUTY OF OAK, OFFERING A CONTEMPORARY YET TIMELESS ADDITION TO YOUR SPACE.



 MADE WITH AMERICAN WHITE OAK

CABINET SPECIFICATIONS



A FRAME	Solid Wood (1-1/2" W, 3/4"D)
B HINGES	Soft-close adjustable concealed hinges
C DOOR	Solid wood* with MDF center panel <i>*Made with American White Oak</i>
D DRAWER BOX	5/8" Solid wood with dovetail construction
E SLIDES	Full extension undermount soft-close
F BOX MATERIAL	1/2" Plywood <i>Cabinet box interior and side panels are color-matched Skin panels available with matching grain (sold separately)</i>
G SHELVES	3/4" Plywood
H TOE KICK	1/8" Color-matched plywood <i>Toe-kicks with matching grain for Oak finishes (Oak Veneer with MDF) sold separately</i>

BASE CABINETS

Width 9" - 42" W (3" increments)
No 39"W

BASE CORNER CABINETS

Lazy Susan 33", 36" W
Blind Corner 36" W (*42" Space required to install*)

TALL CABINETS

Pantry 18", 24", 30", 36" W
Double Oven 30", 33" W
Heights 84", 90" and 96" H

WALL CABINETS

Width 9" - 36" W (3" increments)
Height 30", 36", 42" H

WALL CORNER CABINETS

Diagonal Corner 24" W (30", 36", 42" H)
Easy Reach 24" W (30", 36", 42" H)
Blind Corner 27" W (30", 36", 42" H)

WALL BRIDGE CABINET

Width 30", 36" W
Height 12" - 24" H (3" increments)
Depth 12" D

WALL REFRIGERATOR CABINET

Width 36" W
Height 12" - 24" H (3" increments)
Depth 24" D

CROWN MOLDINGS

1 5/8", 2 1/2", 3 1/2" AND 4 1/2"



SHAKER

COLLECTION

Oak

OAK SHAKER (OS)



MADE WITH AMERICAN WHITE OAK

OAK SHAKER

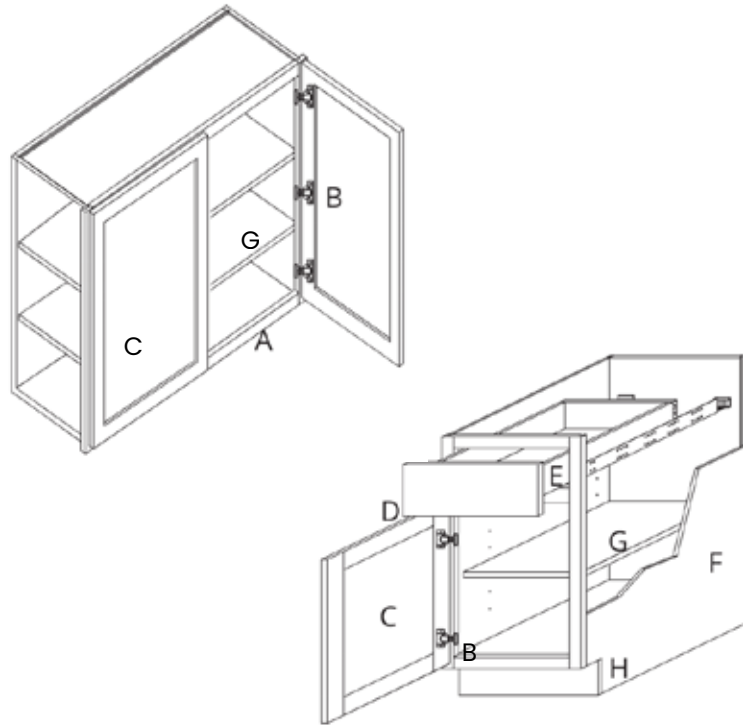
VIEW CATALOG

Images shown are digital renderings for reference only. Actual color and finish may vary. For final selection, please visit an authorized dealer to view physical samples in person.

DISCOVER THE SOPHISTICATION OF AMERICAN WHITE OAK AND INDULGE IN THE LUXURY OF TIMELESS DESIGN. OUR WHITE OAK CABINETS REDEFINE EXCELLENCE, BRINGING A TOUCH OF NATURE'S SPLENDOR INTO YOUR HOME. EXPERIENCE THE UNMATCHED ESSENCE OF QUALITY, STYLE, AND INNOVATION – BECAUSE AT PARIOTT WOOD, WE BELIEVE, WITH CONVICTION, THAT YOUR SPACE DESERVES NOTHING BUT THE BEST.



CABINET SPECIFICATIONS



- A FRAME** Solid Wood (1-1/2" W, 3/4"D)
- B HINGES** Soft-close adjustable concealed hinges
- C DOOR** Solid wood* with MDF center panel
**Made with American White Oak*
- D DRAWER BOX** 5/8" Solid wood with dovetail construction
- E SLIDES** Full extension undermount soft-close
- F BOX MATERIAL** 1/2" Plywood
*Cabinet box interior and side panels are color-matched
Skin panels available with matching grain (sold separately)*
- G SHELVES** 3/4" Plywood
- H TOE KICK** 1/8" Color-matched plywood
*Toe-kicks with matching grain for Oak finishes (Oak Veneer with MDF)
sold separately*

BASE CABINETS

Width 9" - 42" W (3" increments)
No 39"W

BASE CORNER CABINETS

Lazy Susan 33", 36" W
Blind Corner 36" W (42" Space required to install)

TALL CABINETS

Pantry 18", 24", 30", 36" W
Double Oven 30", 33" W
Heights 84", 90" and 96" H

WALL CABINETS

Width 9" - 36" W (3" increments)
Height 30", 36", 42" H

WALL CORNER CABINETS

Diagonal Corner 24" W (30", 36", 42" H)
Easy Reach 24" W (30", 36", 42" H)
Blind Corner 27" W (30", 36", 42" H)

WALL BRIDGE CABINET

Width 30", 36" W
Height 12" - 24" H (3" increments)
Depth 12" D

WALL REFRIGERATOR CABINET

Width 36" W
Height 12" - 24" H (3" increments)
Depth 24" D

CROWN MOLDINGS

1 5/8", 2 1/2", 3 1/2" AND 4 1/2"



PARRITT WOOD



ELEGANT COLLECTION

Black

ELEGANT SHAKER OAK BLACK (ESB)



VIEW CATALOG

MADE WITH AMERICAN WHITE OAK

ELEGANT SHAKER BLACK



Images shown are digital renderings for reference only. Actual color and finish may vary. For final selection, please visit an authorized dealer to view physical samples in person.



ELEGANT SHAKER OAK



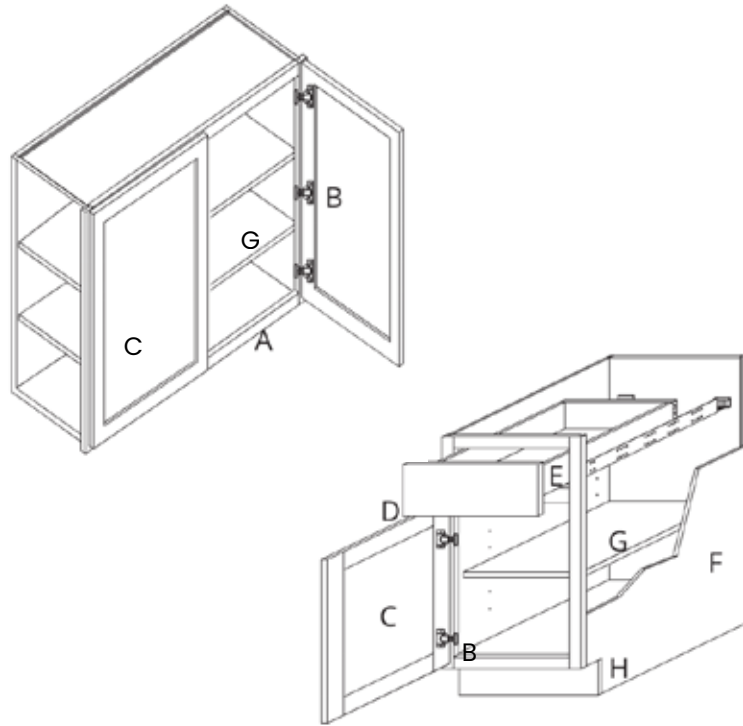
Oak

ELEGANT SHAKER OAK (ESO)

ELEGANT OAK EXUDES TIMELESS SOPHISTICATION WITH ITS WARM, HONEY-TONED FINISH THAT HIGHLIGHTS THE NATURAL BEAUTY OF WHITE OAK WOOD. THIS CLASSIC STAIN FINISH ENHANCES THE WOOD'S GRAIN PATTERNS, CREATING A LUXURIOUS TEXTURE. THE ELEGANT OAK TEXTURE IS SUBTLY PRONOUNCED, ADDING DEPTH AND CHARACTER TO THE SURFACE.



CABINET SPECIFICATIONS



A FRAME	Solid Wood (1-1/2" W, 3/4"D)
B HINGES	Soft-close adjustable concealed hinges
C DOOR	Solid wood* with MDF center panel <i>*Made with American White Oak</i>
D DRAWER BOX	5/8" Solid wood with dovetail construction
E SLIDES	Full extension undermount soft-close
F BOX MATERIAL	1/2" Plywood <i>Cabinet box interior and side panels are color-matched Skin panels available with matching grain (sold separately)</i>
G SHELVES	3/4" Plywood
H TOE KICK	1/8" Color-matched plywood <i>Toe-kicks with matching grain for Oak finishes (Oak Veneer with MDF) sold separately</i>

BASE CABINETS

Width 9" - 42" W (3" increments)
No 39"W

BASE CORNER CABINETS

Lazy Susan 33", 36" W
Blind Corner 36" W (42" Space required to install)

TALL CABINETS

Pantry 18", 24", 30", 36" W
Double Oven 30", 33" W
Heights 84", 90" and 96" H

WALL CABINETS

Width 9" - 36" W (3" increments)
Height 30", 36", 42" H

WALL CORNER CABINETS

Diagonal Corner 24" W (30", 36", 42" H)
Easy Reach 24" W (30", 36", 42" H)
Blind Corner 27" W (30", 36", 42" H)

WALL BRIDGE CABINET

Width 30", 36" W
Height 12" - 24" H (3" increments)
Depth 12" D

WALL REFRIGERATOR CABINET

Width 36" W
Height 12" - 24" H (3" increments)
Depth 24" D

CROWN MOLDINGS

1 5/8", 2 1/2", 3 1/2" AND 4 1/2"



ELEGANT
SHAKER
IVORY

MADE WITH
AMERICAN WHITE OAK



VIEW
CATALOG

ELEGANT COLLECTION

Ivory

ELEGANT SHAKER OAK IVORY
(ESOI)

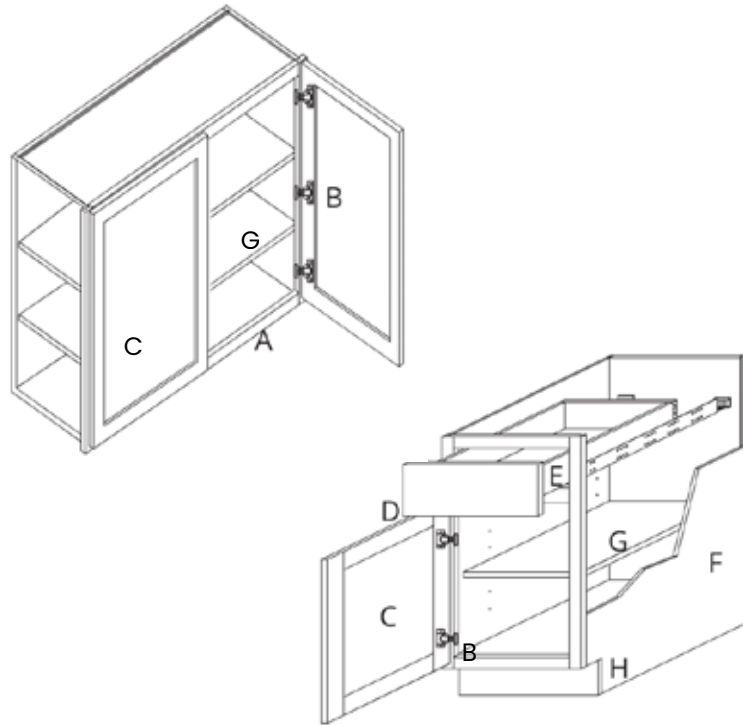


Images shown are digital renderings for reference only. Actual color and finish may vary. For final selection, please visit an authorized dealer to view physical samples in person.



ELEGANT OAK IVORY SEEPS MODERN STYLE WITH ITS SOFT, IVORY-COLORED STAIN FINISH, BRINGING A FRESH AND CONTEMPORARY FEEL TO ANY SPACE. THIS UNIQUE HUE, REMINISCENT OF CREAMY IVORY, ADDS A TOUCH OF SOPHISTICATION AND PURITY TO INTERIORS. THIS FINISH GRACEFULLY HIGHLIGHTS THE OAK'S NATURAL GRAIN PATTERNS, CREATING A SUBTLE TEXTURE THAT ADDS DEPTH AND CHARACTER TO YOUR SPACE.

CABINET SPECIFICATIONS



A FRAME	Solid Wood (1-1/2" W, 3/4"D)
B HINGES	Soft-close adjustable concealed hinges
C DOOR	Solid wood* with MDF center panel <i>*Made with American White Oak</i>
D DRAWER BOX	5/8" Solid wood with dovetail construction
E SLIDES	Full extension undermount soft-close
F BOX MATERIAL	1/2" Plywood <i>Cabinet box interior and side panels are color-matched Skin panels available with matching grain (sold separately)</i>
G SHELVES	3/4" Plywood
H TOE KICK	1/8" Color-matched plywood <i>Toe-kicks with matching grain for Oak finishes (Oak Veneer with MDF) sold separately</i>

BASE CABINETS

Width 9" - 42" W (3" increments)
No 39"W

BASE CORNER CABINETS

Lazy Susan 33", 36" W
Blind Corner 36" W (42" Space required to install)

TALL CABINETS

Pantry 18", 24", 30", 36" W
Double Oven 30", 33" W
Heights 84", 90" and 96" H

WALL CABINETS

Width 9" - 36" W (3" increments)
Height 30", 36", 42" H

WALL CORNER CABINETS

Diagonal Corner 24" W (30", 36", 42" H)
Easy Reach 24" W (30", 36", 42" H)
Blind Corner 27" W (30", 36", 42" H)

WALL BRIDGE CABINET

Width 30", 36" W
Height 12" - 24" H (3" increments)
Depth 12" D

WALL REFRIGERATOR CABINET

Width 36" W
Height 12" - 24" H (3" increments)
Depth 24" D

CROWN MOLDINGS

1 5/8", 2 1/2", 3 1/2" AND 4 1/2"



SHAKER

COLLECTION

Light Oak

LIGHT OAK SHAKER (LOS)



LIGHT OAK SHAKER

MADE WITH AMERICAN WHITE OAK



PARROTT WOOD



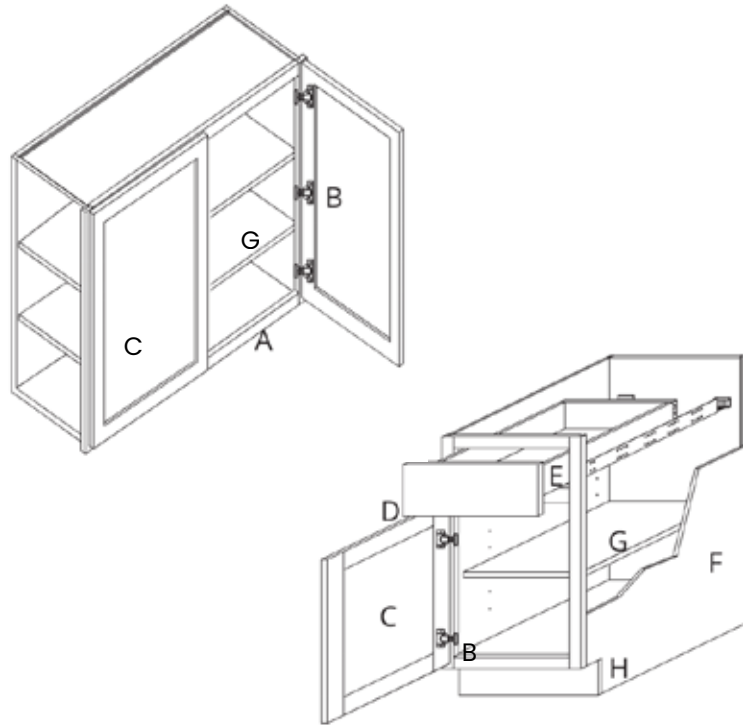
VIEW CATALOG

Images shown are digital renderings for reference only. Actual color and finish may vary. For final selection, please visit an authorized dealer to view physical samples in person.

DISCOVER THE NATURAL BEAUTY OF AMERICAN WHITE OAK IN A SOFTER, MORE REFINED FINISH. OUR LIGHT OAK SHAKER CABINETS BRING A CALM, NEUTRAL WARMTH THAT FEELS TIMELESS AND EFFORTLESS. DESIGNED TO HIGHLIGHT REAL WOOD CHARACTER WITH A CLEAN SHAKER PROFILE, THIS FINISH CREATES A SPACE THAT FEELS INVITING, BALANCED, AND ELEVATED.



CABINET SPECIFICATIONS



- A FRAME** Solid Wood (1-1/2" W, 3/4"D)
- B HINGES** Soft-close adjustable concealed hinges
- C DOOR** Solid wood* with MDF center panel
**Made with American White Oak*
- D DRAWER BOX** 5/8" Solid wood with dovetail construction
- E SLIDES** Full extension undermount soft-close
- F BOX MATERIAL** 1/2" Plywood
*Cabinet box interior and side panels are color-matched
Skin panels available with matching grain (sold separately)*
- G SHELVES** 3/4" Plywood
- H TOE KICK** 1/8" Color-matched plywood
*Toe-kicks with matching grain for Oak finishes (Oak Veneer with MDF)
sold separately*

BASE CABINETS

Width 9" - 42" W (3" increments)
No 39"W

BASE CORNER CABINETS

Lazy Susan 33", 36" W
Blind Corner 36" W (42" Space required to install)

TALL CABINETS

Pantry 18", 24", 30", 36" W
Double Oven 30", 33" W
Heights 84", 90" and 96" H

WALL CABINETS

Width 9" - 36" W (3" increments)
Height 30", 36", 42" H

WALL CORNER CABINETS

Diagonal Corner 24" W (30", 36", 42" H)
Easy Reach 24" W (30", 36", 42" H)
Blind Corner 27" W (30", 36", 42" H)

WALL BRIDGE CABINET

Width 30", 36" W
Height 12" - 24" H (3" increments)
Depth 12" D

WALL REFRIGERATOR CABINET

Width 36" W
Height 12" - 24" H (3" increments)
Depth 24" D

CROWN MOLDINGS

1 5/8", 2 1/2", 3 1/2" AND 4 1/2"

PV
ELEGANT
COLLECTION

Mocha

ELEGANT SHAKER OAK MOCHA
(ESOM)



PV
PARRIOTT WOOD



**VIEW
CATALOG**

 MADE WITH
AMERICAN WHITE OAK

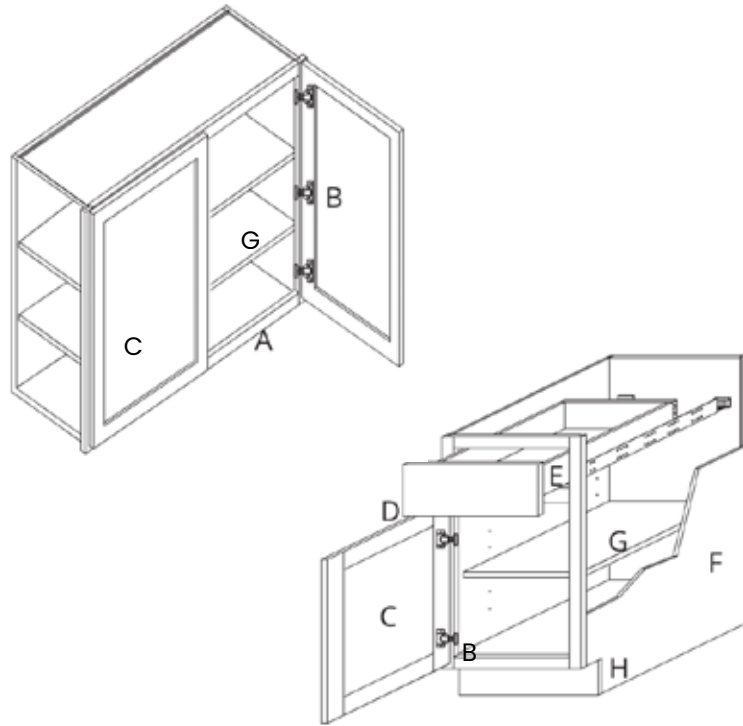

ELEGANT
SHAKER
MOCHA

Images shown are digital renderings for reference only. Actual color and finish may vary. For final selection, please visit an authorized dealer to view physical samples in person.

ELEGANT OAK MOCHA ENVELOPS SPACES IN A RICH, WARM EMBRACE WITH ITS DEEP BROWN, MOCHA-TONED STAIN FINISH. THIS LUXURIOUS HUE RESEMBLES VELVETY TONES OF BROWN, EXUDING A SENSE OF SOPHISTICATION AND COMFORT. THE FINISH SHOWCASES THE OAK'S NATURAL GRAIN PATTERNS WITH DEPTH AND CLARITY, CREATING A SENSE OF OPULENCE.



CABINET SPECIFICATIONS



A FRAME	Solid Wood (1-1/2" W, 3/4"D)
B HINGES	Soft-close adjustable concealed hinges
C DOOR	Solid wood* with MDF center panel <i>*Made with American White Oak</i>
D DRAWER BOX	5/8" Solid wood with dovetail construction
E SLIDES	Full extension undermount soft-close
F BOX MATERIAL	1/2" Plywood <i>Cabinet box interior and side panels are color-matched Skin panels available with matching grain (sold separately)</i>
G SHELVES	3/4" Plywood
H TOE KICK	1/8" Color-matched plywood <i>Toe-kicks with matching grain for Oak finishes (Oak Veneer with MDF) sold separately</i>

BASE CABINETS

Width 9" - 42" W (3" increments)
No 39"W

BASE CORNER CABINETS

Lazy Susan 33", 36" W
Blind Corner 36" W (42" Space required to install)

TALL CABINETS

Pantry 18", 24", 30", 36" W
Double Oven 30", 33" W
Heights 84", 90" and 96" H

WALL CABINETS

Width 9" - 36" W (3" increments)
Height 30", 36", 42" H

WALL CORNER CABINETS

Diagonal Corner 24" W (30", 36", 42" H)
Easy Reach 24" W (30", 36", 42" H)
Blind Corner 27" W (30", 36", 42" H)

WALL BRIDGE CABINET

Width 30", 36" W
Height 12" - 24" H (3" increments)
Depth 12" D

WALL REFRIGERATOR CABINET

Width 36" W
Height 12" - 24" H (3" increments)
Depth 24" D

CROWN MOLDINGS

1 5/8", 2 1/2", 3 1/2" AND 4 1/2"



PARRIOTT WOOD



HAVANA

COLLECTION



ORO



VIEW CATALOG



WALNUT



HAVANA BLANCO (HAB)



HAVANA PLATA (HAP)



HAVANA ORO (HAO)



HAVANA WALNUT (HAW)



HAVANA ASH (HAA)

Images shown are digital renderings for reference only. Actual color and finish may vary. For final selection, please visit an authorized dealer to view physical samples in person.



PLATA

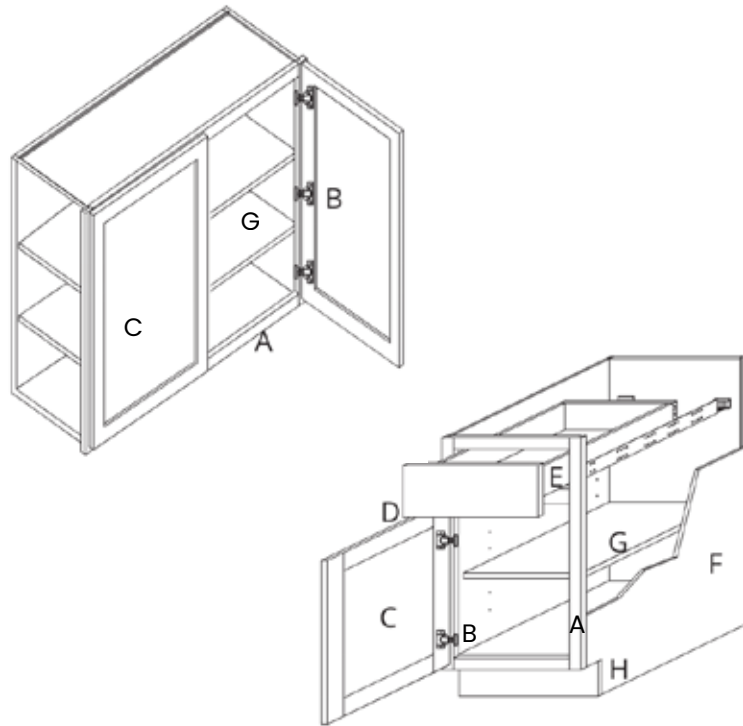


ASH



BLANCO

CABINET SPECIFICATIONS



- A FRAME** Solid Wood (1-1/2" W, 3/4"D)
- B HINGES** Soft-close adjustable concealed hinges
- C DOOR** Solid wood with MDF center panel
- D DRAWER BOX** 5/8" Solid wood with dovetail construction
- E SLIDES** Full extension undermount soft-close
- F BOX MATERIAL** 1/2" Plywood
Cabinet box interior and side panels are color-matched
- G SHELVES** 3/4" Plywood
- H TOE KICK** 1/8" Color-matched plywood

BASE CABINETS

Width 9" - 42" W (3" increments)
No 39"W

BASE CORNER CABINETS

Lazy Susan 33", 36" W
Blind Corner 36" W (42" Space required to install)

TALL CABINETS

Pantry 18", 24", 30", 36" W
Double Oven 30", 33" W
Heights 84", 90" and 96" H

WALL CABINETS

Width 9" - 36" W (3" increments)
Height 30", 36", 42" H

WALL CORNER CABINETS

Diagonal Corner 24" W (30", 36", 42" H)
Easy Reach 24" W (30", 36", 42" H)
Blind Corner 27" W (30", 36", 42" H)

WALL BRIDGE CABINET

Width 30", 36" W
Height 12" - 24" H (3" increments)
Depth 12" D

WALL REFRIGERATOR CABINET

Width 36" W
Height 12" - 24" H (3" increments)
Depth 24" D

CROWN MOLDINGS

1 5/8", 2 1/2", 3 1/2" AND 4 1/2"



HAVANA COLLECTION

ORO

HAVANA ORO (HAO)



WHITE OAK AESTHETIC AT
A FRACTION OF THE COST

**Havana Oro cabinets are crafted from Birch wood, not American White Oak.*



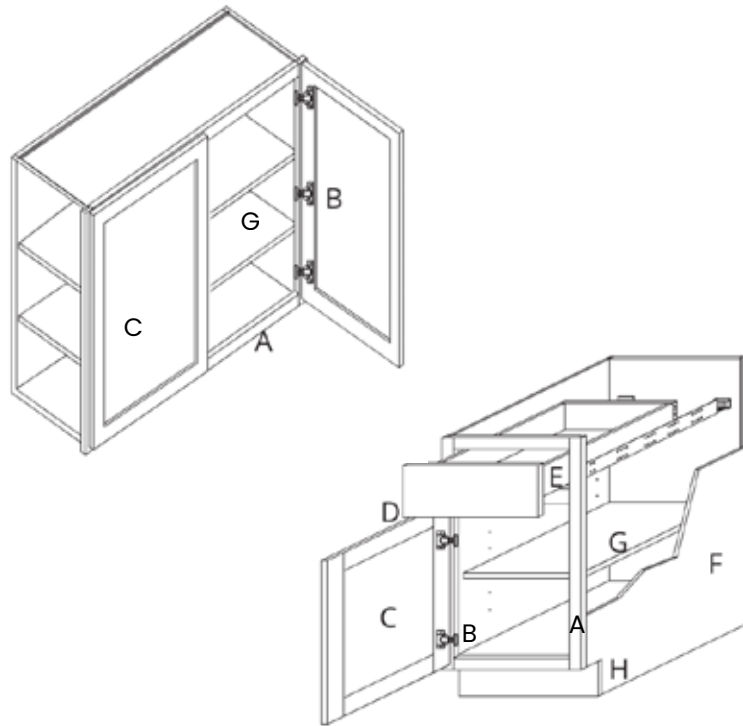
VIEW
CATALOG

Images shown are digital renderings for reference only. Actual color and finish may vary. For final selection, please visit an authorized dealer to view physical samples in person.

HAVANA ORO BRINGS THE WARMTH AND CHARACTER OF OAK-INSPIRED CABINETS IN A MORE ACCESSIBLE WAY. MADE FROM DURABLE BIRCH AND FINISHED WITH A RICH SHERWIN-WILLIAMS STAIN, IT OFFERS A CLEAN, GOLDEN TONE WITH NATURAL GRAIN DETAIL — PERFECT FOR THOSE WHO WANT ELEVATED DESIGN WITHOUT THE WHITE OAK PRICE TAG.



CABINET SPECIFICATIONS



- A FRAME** Solid Wood (1-1/2" W, 3/4"D)
- B HINGES** Soft-close adjustable concealed hinges
- C DOOR** Solid wood with MDF center panel
- D DRAWER BOX** 5/8" Solid wood with dovetail construction
- E SLIDES** Full extension undermount soft-close
- F BOX MATERIAL** 1/2" Plywood
Cabinet box interior and side panels are color-matched
- G SHELVES** 3/4" Plywood
- H TOE KICK** 1/8" Color-matched plywood

BASE CABINETS

Width 9" - 42" W (3" increments)
No 39"W

BASE CORNER CABINETS

Lazy Susan 33", 36" W
Blind Corner 36" W (42" Space required to install)

TALL CABINETS

Pantry 18", 24", 30", 36" W
Double Oven 30", 33" W
Heights 84", 90" and 96" H

WALL CABINETS

Width 9" - 36" W (3" increments)
Height 30", 36", 42" H

WALL CORNER CABINETS

Diagonal Corner 24" W (30", 36", 42" H)
Easy Reach 24" W (30", 36", 42" H)
Blind Corner 27" W (30", 36", 42" H)

WALL BRIDGE CABINET

Width 30", 36" W
Height 12" - 24" H (3" increments)
Depth 12" D

WALL REFRIGERATOR CABINET

Width 36" W
Height 12" - 24" H (3" increments)
Depth 24" D

CROWN MOLDINGS

1 5/8", 2 1/2", 3 1/2" AND 4 1/2"



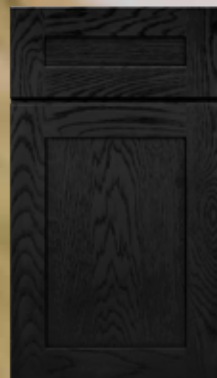
DV

SHAKER

COLLECTION



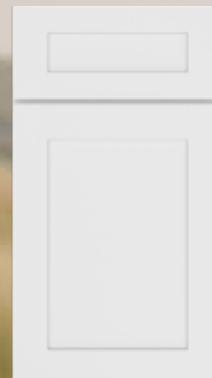
VIEW
CATALOG



BLACK (OSB)



OAK (OS)



WHITE (WS)



GREY (GS)



NAVY (NS)

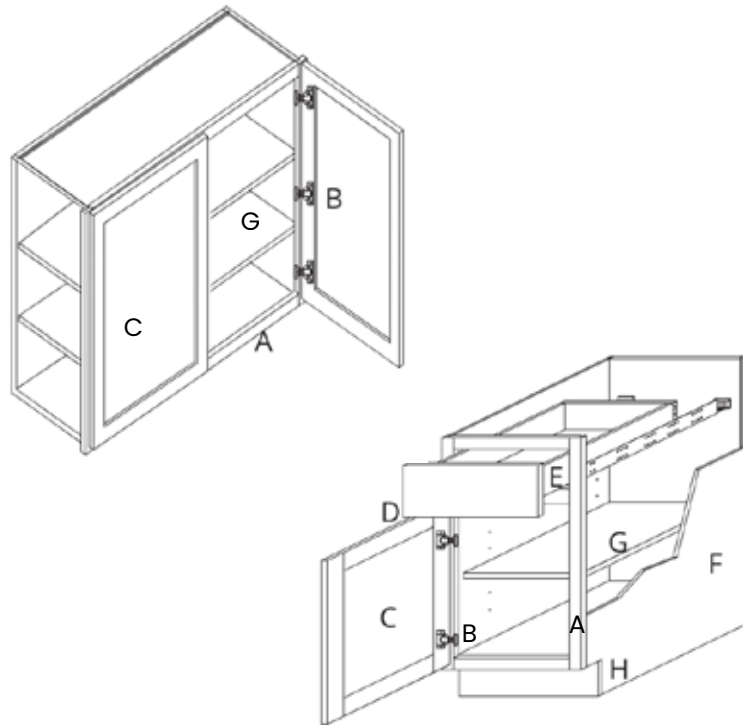


LIGHT OAK (LOS)



Images shown are digital renderings for reference only. Actual color and finish may vary. For final selection, please visit an authorized dealer to view physical samples in person.

CABINET SPECIFICATIONS



- A FRAME** Solid Wood (1-1/2" W, 3/4"D)
- B HINGES** Soft-close adjustable concealed hinges
- C DOOR** Solid Wood* with MDF center panel
**OS & OSB Made with American White Oak*
- D DRAWER BOX** 5/8" Solid wood with dovetail construction
- E SLIDES** Full extension undermount soft-close
- F BOX MATERIAL** 1/2" Plywood
*Cabinet box interior and side panels are color (not grain) matched
White Shaker box interior is a natural finish*
- G SHELVES** 3/4" Plywood
- H TOE KICK** 1/8" Color-matched plywood
*Toe-kicks with matching grain for Oak finishes (Oak Veneer with MDF)
sold separately*

BASE CABINETS

Width 9" - 42" W (3" increments)
No 39"W

BASE CORNER CABINETS

Lazy Susan 33", 36" W
Blind Corner 36" W (42" Space required to install)

TALL CABINETS

Pantry 18", 24", 30", 36" W
Double Oven 30", 33" W
Heights 84", 90" and 96" H

WALL CABINETS

Width 9" - 36" W (3" increments)
Height 30", 36", 42" H

WALL CORNER CABINETS

Diagonal Corner 24" W (30", 36", 42" H)
Easy Reach 24" W (30", 36", 42" H)
Blind Corner 27" W (30", 36", 42" H)

WALL BRIDGE CABINET

Width 30", 36" W
Height 12" - 24" H (3" increments)
Depth 12" D

WALL REFRIGERATOR CABINET

Width 36" W
Height 12" - 24" H (3" increments)
Depth 24" D

CROWN MOLDINGS

1 5/8", 2 1/2", 3 1/2" AND 4 1/2"

PV
ELEGANT
COLLECTION



IVORY (ESOI) OAK (ESO) MOCHA (ESOM) BLACK (ESB)



WHITE (ES) GREY (ESC) NAVY (ESN)



IVORY



MOCHA

VIEW CATALOG



Images shown are digital renderings for reference only. Actual color and finish may vary. For final selection, please visit an authorized dealer to view physical samples in person.



GREY

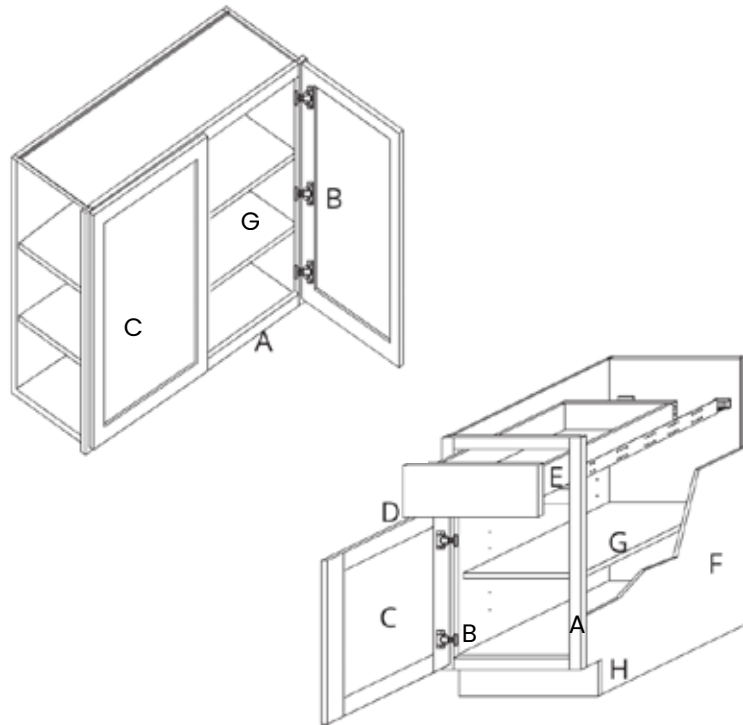


WHITE NAVY



OAK BLACK

CABINET SPECIFICATIONS



- A FRAME** Solid Wood (1-1/2" W, 3/4"D)
- B HINGES** Soft-close adjustable concealed hinges
- C DOOR** Solid Wood* with MDF center panel
**ESO, ESB, ESOI, & ESOM Made with American White Oak*
- D DRAWER BOX** 5/8" Solid wood with dovetail construction
- E SLIDES** Full extension undermount soft-close
- F BOX MATERIAL** 1/2" Plywood
*Cabinet box interior and side panels are color (not grain) matched
Elegant Shaker White box interior is a natural finish*
- G SHELVES** 3/4" Plywood
- H TOE KICK** 1/8" Color-matched plywood
*Toe-kicks with matching grain for Oak finishes (Oak Veneer with MDF)
sold separately*

BASE CABINETS

Width 9" - 42" W (3" increments)
No 39"W

BASE CORNER CABINETS

Lazy Susan 33", 36" W
Blind Corner 36" W (42" Space required to install)

TALL CABINETS

Pantry 18", 24", 30", 36" W
Double Oven 30", 33" W
Heights 84", 90" and 96" H

WALL CABINETS

Width 9" - 36" W (3" increments)
Height 30", 36", 42" H

WALL CORNER CABINETS

Diagonal Corner 24" W (30", 36", 42" H)
Easy Reach 24" W (30", 36", 42" H)
Blind Corner 27" W (30", 36", 42" H)

WALL BRIDGE CABINET

Width 30", 36" W
Height 12" - 24" H (3" increments)
Depth 12" D

WALL REFRIGERATOR CABINET

Width 36" W
Height 12" - 24" H (3" increments)
Depth 24" D

CROWN MOLDINGS

1 5/8", 2 1/2", 3 1/2" AND 4 1/2"



ALTOS

COLLECTION
FRAMELESS CABINETS



MAGNOLIA TEXTIL PLATA BASIL TO PEARL GRIS METALIC METALLO



CUZCO ORO GUYANA OLIVIO

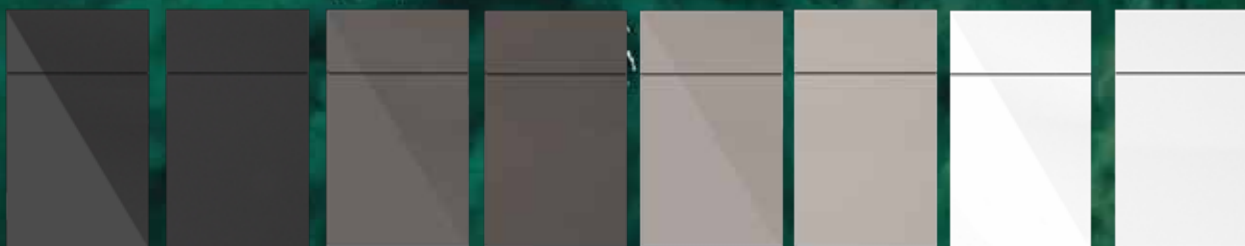


VIEW
CATALOG



NEWPORT

COLLECTION
FRAMELESS CABINETS



GRAPHITE HIGH GLOSS GRAPHITE MATTE DARK GREY HIGH GLOSS DARK GREY MATTE TAN HIGH GLOSS TAN MATTE WHITE HIGH GLOSS NEWPORT WHITE MATTE



LIGHT GREY HIGH GLOSS LIGHT GREY MATTE DEEP BLUE HIGH GLOSS DEEP BLUE MATTE BLACK GLOSS BLACK MATTE JADE GREEN



FLORENCE

COLLECTION
FRAMELESS CABINETS



VINTAGE

BEIGE
LEATHER

ARENA
LEATHER

ABBEY

BAMBOO

GUERRILLA

BRUN
LEATHER



ARES
CONCRETE

SMOKY

CURIO



VIEW
CATALOG



WOODLAND

COLLECTION
FRAMELESS CABINETS



BURLAP

SAREK
ASH

TOASTED
OAK

TUMALO
PINE

GINGER

OUTLANDIA

LUXENT

SEARED
OAK